

Installation Instructions for Forest Lighting LED Troffer

Keep these instructions for future reference.

Do not install damaged product.

WARNING: INSTALL AND WIRE THE PRODUCT IN ACCORDANCE WITH ALL NATIONAL, STATE AND LOCAL CODES.

WARNING: THIS PRODUCT MUST BE INSTALLED IN ACCORDANCE WITH THE APPLICABLE INSTALLATION CODE BY A PERSON FAMILIAR WITH THE CONSTRUCTIONS AND OPERATIONS OF THE PRODUCT AND THE HAZARDS INVOLVED.

WARNING: PROPER GROUNDING IS REQUIRED TO ENSURE PERSONAL SAFETY.

WARNING: TO AVOID ELECTRIC SHOCK HAZARD, DISCONNECT THE POWER AT THE PANEL BOARD (CIRCUIT BREAKER BOX) BEFORE BEGINNING INSTALLATION.

Troffer Fixture Models:

FL-TF22-20W35K-D	FL-TF24-35W35K-D
FL-TF22-20W40K-D	FL-TF24-35W40K-D
FL-TF22-20W50K-D	FL-TF24-35W50K-D
FL-TF22-32W35KP-D	FL-TF24-50W35KP-D
FL-TF22-32W40KP-D	FL-TF24-50W40KP-D
FL-TF22-32W50KP-D	FL-TF24-50W50KP-D

Input Voltage: 100-277V, 50/60Hz

Operating Temperature: -20° ~ +45°C

Indoor use only.

Suitable for non-insulated ceiling applications using

T-bar ceiling grid or suspended mount.

Standard 0-10V dimming.



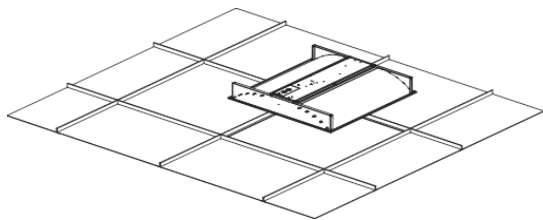
INSTALLATION:

Step 1: Disconnect the power at the panel board (circuit breaker box).

Step 2: Carefully remove the fixture from packaging. Inspect the fixture for any defects before proceeding.

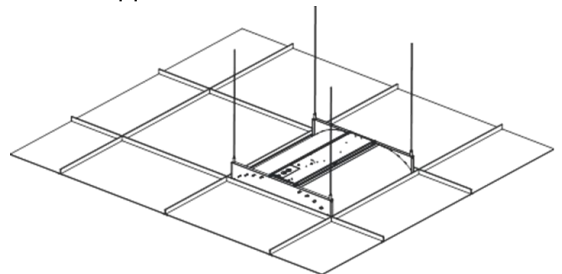
T-BAR CEILING MOUNTING:

Step 3a: Place the fixture into the T-Bar ceiling panel.



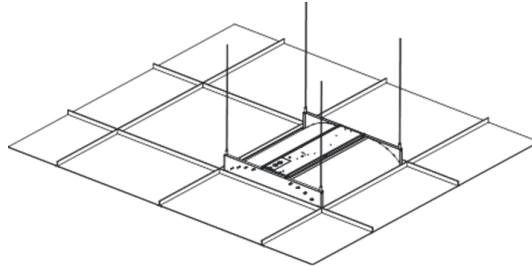
Step 3b: Attach steel hook/safety cables to troffer housing at each corner.

Attach cables to ceiling mounting surface using customer supplied hardware. Ensure that the mounting surface can support the fixture.



SUSPENDED MOUNTING:

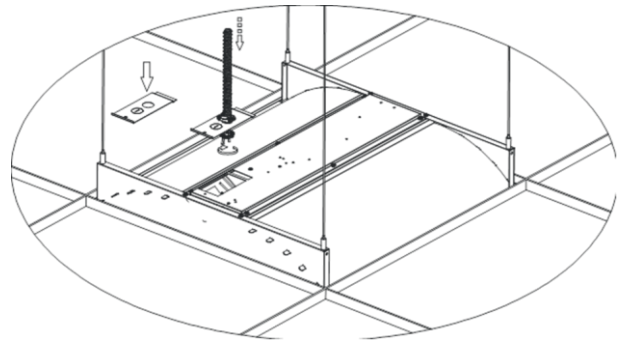
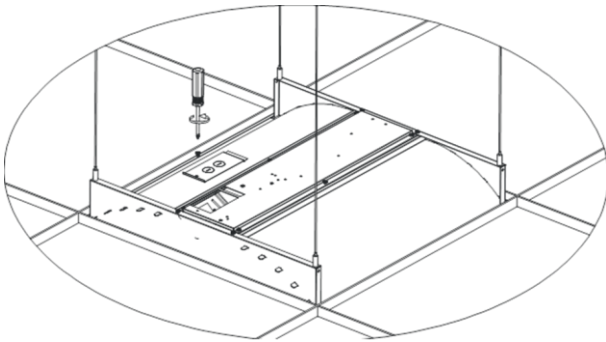
Step 3: Attach steel hook/safety cables to troffer housing at each corner. Attach cables to ceiling mounting surface using customer supplied hardware. Ensure that the mounting surface can support the fixture.



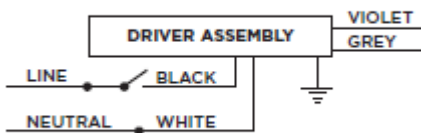
ELECTRICAL CONNECTIONS:

Step 4: Remove electrical enclosure cover, and remove knock-out for AC line input wires.

Step 5: Feed the line input wires through the enclosure cover knock-out and fix the conduit end to the enclosure cover.



Step 6: Make the electrical connections as follows:



- a) Connect the black lead from the fixture to the Line (Hot) voltage supply lead.
- b) Connect the white lead from the fixture to the Neutral voltage supply lead.
- c) Connect the green or green/yellow ground lead to the supply ground lead.
- d) If 0-10V dimming is used, connect the violet lead to the positive dimming lead, and connect the gray lead to the negative dimming lead.

Step 7: Reconnect power supply and test fixture.