



univ8™
LED T8



UniV8™ LED T8 Tube

UniV8™ is the ultimate T8 retrofit solution. This universal lamp can be installed in fixtures with or without a ballast, making it ideal for retrofit applications where the fluorescent systems are being upgraded to save energy and maintenance costs. Customers can elect to utilize the existing ballast with no rewiring, or install directly without ballast.

FEATURES & BENEFITS

- Direct replacement of fluorescent tubes, no electrical modification to fixture is required
- Compatible with instant start electronic ballasts
- Easy and quick to install
- System efficacy over 130lm/W
- Can operate directly from line voltage
- Made of Polycarbonate and Aluminum
- Rated lifetime of 50,000 hrs

UNIV8 LED TUBES MODELS

MODEL NO.	NOMINAL LENGTH	INPUT POWER (W)	DELIVERED L OUTPUT
T8U2XX-8	2'	8	1000
FL-T8U4XX-12-BN	4'	12	1620
FL-T8U4XX-15-BN	4'	15	2000
T8U2XX-8-TP	2'	8	1000
T8U4XX-12-TP	4'	12	1640
T8U4XX-15-TP	4'	15	2088

WARRANTY
5 Year Warranty



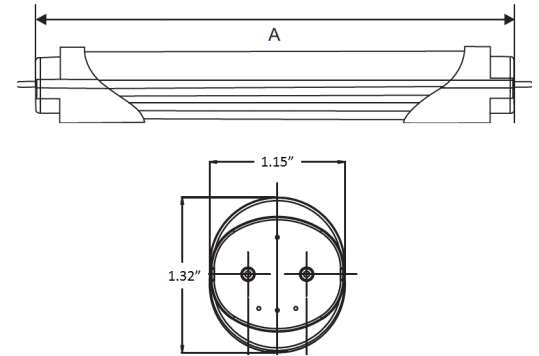
LISTINGS AND CERTIFICATIONS



UniV8 LED T8 Tube

SPECIFICATION INFORMATION

Input Voltage	100-277V, 50/60Hz
Power Factor	> 0.9
Total Harmonic Distortion	<25%
Correlated Color Temperature (CCT)	3500K, 4100K, 5000K, 6000K
Color Rendering Index	>80
Beam Angle	120°
Operating Temperature	-20° ~ +45°C
Base	Medium Bi-Pin (G13)



MECHANICAL SPECIFICATIONS

Model Series	Dimensions (A)
2'	23.14"
4'	47.17"

ORDERING INFORMATION

Example: T8U250-8 or FL-T8U435-12-BN

Product	Size	CCT	Input Power	Series
T8U	2 2'	35 3500K	-8 8W	
FL-T8U	4 4'	41 4100K	-12 12W	BN
		50 5000K	-15 15W	

Example: T8U435-12-TP

Product	Size	CCT	Input Power	Series
T8U	2 2'	35 3500K	-8 8W	TP
	4 4'	41 4100K	-12 12W	
		50 5000K	-15 15W	