



univ8™ LED T8



UniV8™ LED T8 Tube

UniV8™ is the ultimate T8 retrofit solution. This universal lamp can be installed in fixtures with or without a ballast, making it ideal for retrofit applications where the fluorescent systems are being upgraded to save energy and maintenance costs. Customers can elect to utilize the existing ballast with no rewiring, or install directly without ballast.

FEATURES & BENEFITS

- Direct replacement of fluorescent tubes, no electrical modification to fixture is required
- Compatible with instant start electronic ballasts
- Easy and quick to install
- System efficacy over 130lm/W
- Can operate directly from line voltage
- Made of Polycarbonate and Aluminum
- Rated lifetime of 50,000 hrs
- DLC listed for utility rebates

UNIV8 LED TUBES MODELS

MODEL NO.	NOMINAL LENGTH	INPUT POWER (W)	CCT	DELIVERED LIGHT OUTPUT (LM)
T8U241-8	2'	8	4100K	1000
FL-T8U435-12W-BN*	4'	12	3500K	1620
FL-T8U441-12W-BN	4'	12	4100K	1620
FL-T8U450-12W-BN	4'	12	5000K	1620
T8U430-15*	4'	15	3000K	2000
T8U435-15*	4'	15	3500K	2000
FL-T8U441-15W-BN	4'	15	4100K	2000
FL-T8U450-15W-BN	4'	15	5000K	2000
T8U460-15*	4'	15	6000K	2000

*nonstocking item

WARRANTY
5 Year Warranty



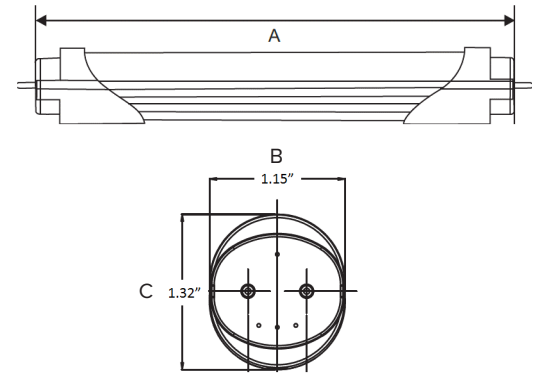
LISTINGS AND CERTIFICATIONS



UniV8 LED T8 Tube

SPECIFICATION INFORMATION

Input Voltage	100-277V, 50/60Hz
Power Factor	> 0.9
Total Harmonic Distortion	<25%
Correlated Color Temperature (CCT)	3000K, 3500K, 4100K, 5000K, 6000K
Color Rendering Index	>80
Beam Angle	120°
Operating Temperature	-20° ~ +45°C
Base	Medium Bi-Pin (G13)



MECHANICAL SPECIFICATIONS

Model Series	Dimensions (A x B x C)
T8U2	23.14" X 1.15" X 1.32"
T8U4	47.17" X 1.15" X 1.32"
FL-T8U4	47.17" X 1.15" X 1.32"

ORDERING INFORMATION

Example: T8U250-8

Product	Size	CCT	Input Power
T8U	2 2'	41 4100K	-8 8W

4 Foot LED Tube Ordering Information- 3000K, 3500K and 6000K Models

Example: T8U460-15

Product	Size	CCT	Input Power
T8U	4 4'	30 3000K	-15W 15W
		35 3500K	
		60 6000K	

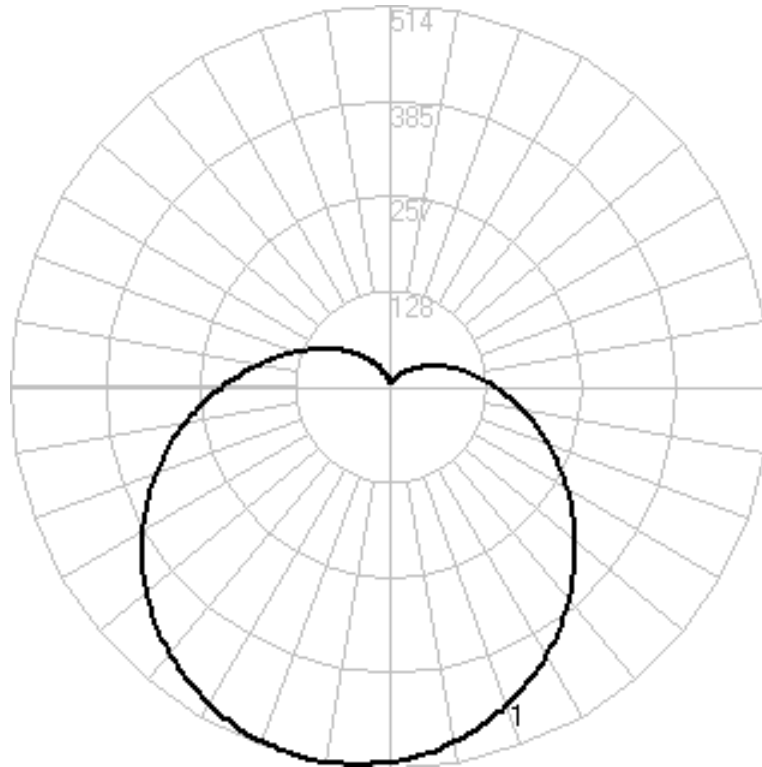
4 Foot LED Tube Ordering Information- 3500K, 4100K and 5000K Models

Example: FL-T8U441-15W-BN

Product	Size	CCT	Input Power	-BN
FL-T8U	4 4'	35 3500K	-12W 12W	
		41 4100K	-15W 15W	
		50 5000K		

UniV8 LED T8 Tube

PHOTOMETRY



Curve 1: 0 degree

FL-T8U450-15W-BN

Performance Data

Delivered Lumens (lms)	2025
Input Wattage (W)	15
Efficacy (LpW)	135.0
Voltage (V)	120

Zonal Lumen Summary

Zone	Lumens	% of Fixture
0-30	396.58	19.60
0-40	656.06	32.40
0-60	1205.93	59.60
0-90	1751.52	86.50
40-70	785.79	38.80
60-80	419.06	20.70
0-180	2025.04	100.00