



LED Flat Panel 2017

Forest Lighting LED Flat Panel Lights are available in three common, standard sizes: 2'x2' and 2'x4'. The architectural lines complement the latest interior design concepts for office, school, and retail settings. Forest Lighting LED Flat Panel Lights are easy to install, with no sharp edges and deliver even lighting throughout the space.

LED FLAT PANEL LIGHT MODELS

CCT	2'X2'	2'X4'
3500K	FL-PL22-20W35K-D	FL-PL24-35W35K-D
	FL-PL22-30W35KP-D	FL-PL24-50W35KP-D
4000K	FL-PL22-20W40K-D	FL-PL24-35W40K-D
	FL-PL22-30W40KP-D	FL-PL24-50W40KP-D
5000K	FL-PL22-20W50K-D	FL-PL24-35W50K-D
	FL-PL22-30W50KP-D	FL-PL24-50W50KP-D



PERFORMANCE & PARAMETERS

CCT	3500K / 4000K / 5000K
CRI	> 80 Ra
Efficacy	105lm/W - 135lm/W
Rated Average Life	50,000 Hrs
Input Voltage	110V-277V
Power Frequency	50/60 Hz
Power Tolerance	+/-10%

FEATURES & BENEFITS

- Soft lighting appearance
- Stylish Design
- Long lifetime
- 0-10V Dimming
- Made of Polycarbonate, Aluminum and Metal box which house the driver.

WARRANTY

5 Year Warranty

LISTINGS AND CERTIFICATIONS

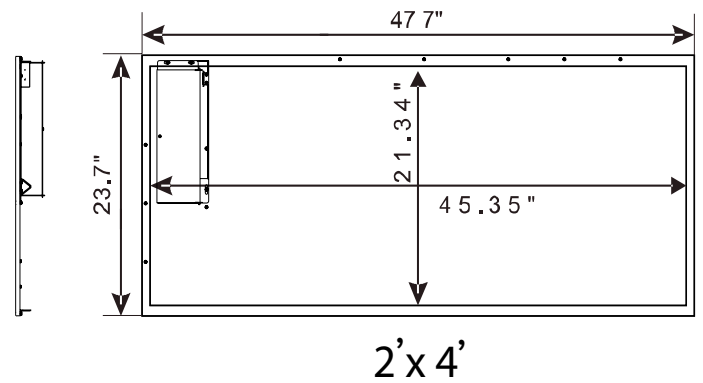
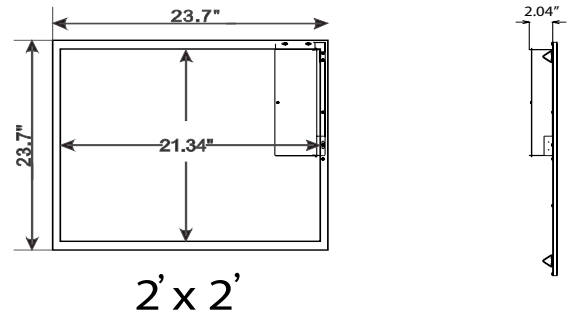


LED Flat Panel 2017






	2' X 2'	2' X 2'	2' X 4'	2' X 4'
Luminous Flux	2550 lm	3800 lm	4700 lm	6350 lm
Input Power	20W	30W	35W	50W
Fluorescent Equivalent	40W	64W	64W	128W
Operating Temperature	-4 to +104 °F, -20 to +40 °C			
Operating Humidity	10 to 85% RH			
Operating Frequency	> 120 Hz			

PHYSICAL CHARACTERISTICS

	2' X 2'	2' X 4'
Body Length (A)	23.7" 601.98mm	47.7" 1211.58mm
Body Height (B)	23.7" 601.98mm	23.7" 601.98mm
Lighted Length (C)	21.34" 542.03mm	45.35" 1151.89mm
Lighted Height (D)	21.34" 542.03mm	21.34" 421.03mm
Net Weight	5.01 lbs 2.27 kg	9.09 lbs 4.12 kg



Wireless Remote Controller Name Model#

	Occupancy Sensor, Wall Mounted	EOSWU-W-EO
	Light Level Sensor, Ceiling Mounted	ELLSU-W-EO
	Relay Zone Controller	LEDRU-W-EO
	Double Rocker Pad	EDRPU-W-EO
	Single Rocker Pad	ESRPU-W-EO