



# FOREST LIGHTING

Sustainable illumination



## LED Panel Lights



Dimmable

Forest Lighting LED Panel Lights utilize edge lighting technology to enable ultra-thin and ultra-light fixtures with uniform lighting effect. They are designed for visual comfort and provide a pleasing environment while qualifying for the highest classification of utility rebates. Clean and elegant architectural lines make them ideally suited for all types of interior space including offices, schools, hospitals, elder care facilities and retail locations. Forest Lighting LED Panel Lights are DLC Premium qualified and are engineered to pair with multi-level lighting controls.

### PANEL LIGHT MODELS

MODEL NO.	DESCRIPTION	INPUT POWER (W)	CCT	DELIVERED LIGHT OUTPUT (LM)
FL-PL22-20W35K-D	2' x 2'	20	3500K	2614
FL-PL22-20W40K-D	2' x 2'	20	4000K	2632
FL-PL22-20W50K-D	2' x 2'	20	5000K	2650
FL-PL22-30W35KP-D	2' x 2'	30	3500K	4051
FL-PL22-30W40KP-D	2' x 2'	30	4000K	4081
FL-PL22-30W50KP-D	2' x 2'	30	5000K	4111
FL-PL24-35W35K-D	2' x 4'	35	3500K	4540
FL-PL24-35W40K-D	2' x 4'	35	4000K	4589
FL-PL24-35W50K-D	2' x 4'	35	5000K	4637
FL-PL24-50W35KP-D	2' x 4'	50	3500K	6133
FL-PL24-50W40KP-D	2' x 4'	50	4000K	6243
FL-PL24-50W50KP-D	2' x 4'	50	5000K	6353

### FEATURES & BENEFITS

- Suitable for retrofit and new construction
- Easy and quick to install
- Suitable for standard T-Bar lay-in or suspended mount applications
- System efficacy up to 135lm/W qualifies for highest classification of rebates
- Standard 0-10V dimming
- Rated lifetime of 50,000 hrs

### WARRANTY

5 Year Warranty



### LISTINGS AND CERTIFICATIONS



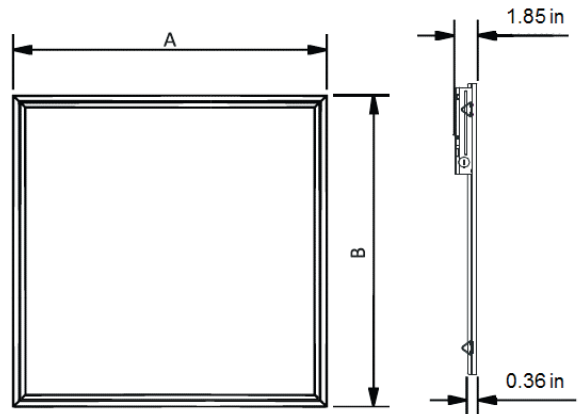
# LED Panel Lights

## SPECIFICATION INFORMATION

Input Voltage	100-277V , 50/60Hz
Power Factor	> 0.9
Total Harmonic Distortion	<20%
Correlated Color Temperture (CCT)	3500K, 4000K, 5000K
Color Rendering Index	>80
Operating Temperature	-20° ~ +45°C

## MECHANICAL SPECIFICATIONS

Model Series	Dimensions (A x B)	Weight
FL-PL22	23.7" x 23.7"	7.5 lbs
FL-PL24	23.7" x 47.7"	16.0 lbs



## ORDERING INFORMATION

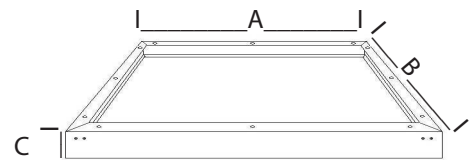
Example: FL-PL22-30W35KP-D

Product	Size	Input Power *	CCT	Product Identifier	Dimming Option
FL-PL	22 2' x 2'	-20 20W	35K 3500K	P 30W and 50W models only	-D 0-10V Dimming
		-30 30W	40K 4000K		
	24 2' x 4'	-35 35W	50K 5000K		
		-50 50W			

\* 2' x 2' panel is available in 20W and 30W,  
2' x 4' panel is available in 35W and 50W

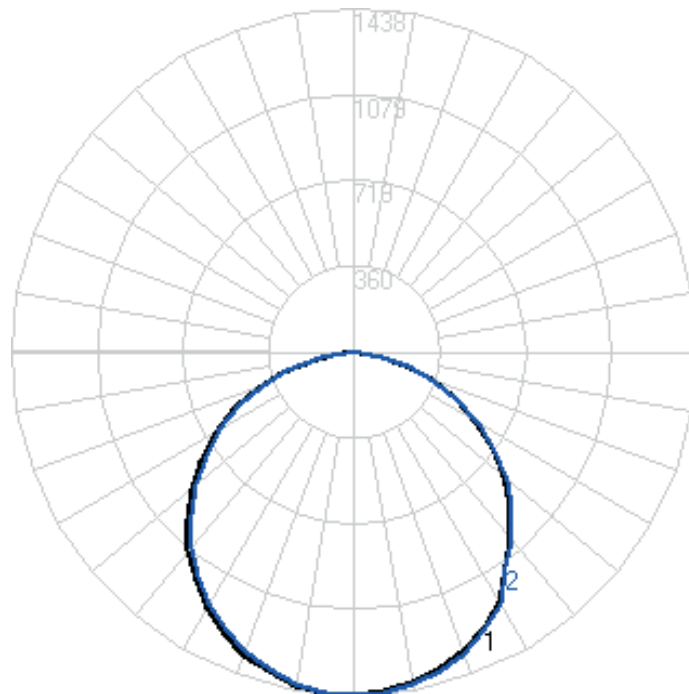
## Installation Kit

Surface Mount Kit	Dimension A x B x C
SMK-2x2-TF	23.826 x 23.826 x 3.914
SMK-2x4-TF	23.826 x 48.062 x 3.914



# LED Panel Lights

## PHOTOMETRY



Curve 1: 0 degree  
Curve 2: 90 degree      2X2 30W 4000K

### Performance Data

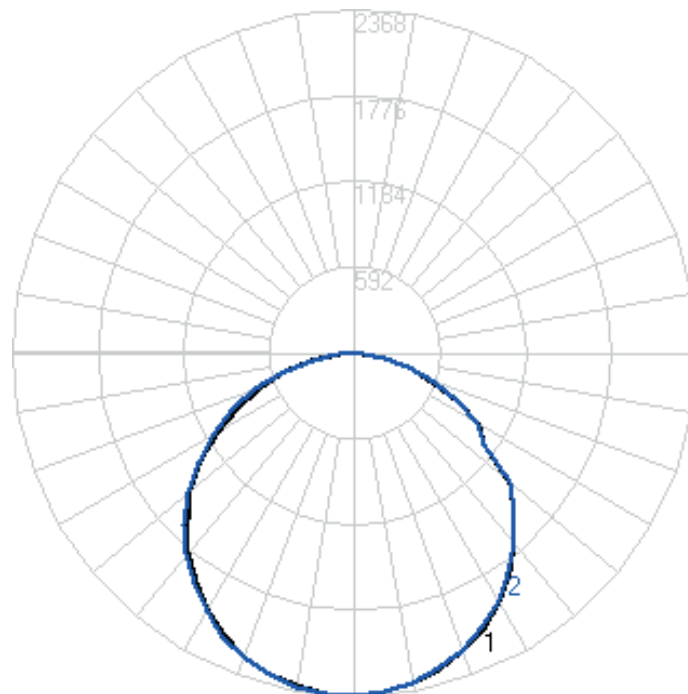
Delivered Lumens (lms)	4062
Input Wattage (W)	30.4
Efficacy (LpW)	133.6
Voltage (V)	120

### Zonal Lumen Summary

Zone	Lumens	% of Fixture
0-30	1119.59	27.60
0-40	1827.4	45.00
0-60	3225.89	79.40
0-90	4062.44	100.00
40-70	1899.12	46.70
60-80	779.67	19.20
0-180	4062.44	100.00

# LED Panel Lights

## PHOTOMETRY



Curve 1: 0 degree  
Curve 2: 90 degree

2X4 50W 5000K

### Performance Data

Delivered Lumens (lms)	6831.0
Input Wattage (W)	50.8
Efficacy (LpW)	134.5
Voltage (V)	120

### Zonal Lumen Summary

Zone	Lumens	% of Fixture
0-30	1845.83	27.00
0-40	3032.45	44.40
0-60	5381.19	78.80
0-90	6830.75	100.00
40-70	3194.47	46.80
60-80	1326.47	19.40
0-180	6830.75	100.00