



FOREST LIGHTING

Sustainable illumination



LED Troffer Retrofit Kit



Dimmable

The Forest Lighting LED Troffer Retrofit Kit makes conversion to LED lighting easy, quick and cost-effective. Designed for compatibility with all major manufacturers and 90% of the installed fluorescent troffer base, retrofitters simply remove existing tubes and ballast, keeping the wiring and tray in place. The Forest Lighting LED Troffer Retrofit Kit provides uniform illumination with high efficacy, and qualifies for the highest classification of utility rebates. They are ideally suited for interior spaces such as offices, schools, hospitals, elder care facilities and retail locations. Forest Lighting LED Troffer Retrofit Kits can save up to 30% on electric bills, are DLC qualified, and engineered to pair with multi-level lighting controls.

TROFFER RETROFIT KITS MODELS

MODEL NO.	DESCRIPTION	INPUT POWER (W)	DELIVERED LIGHT OUTPUT (LM)
FL-TFRK22-20W	2' x 2' Kit	20	2300
FL-TFRK22-24W	2' x 2' Kit	24	2600
FL-TFRK22-28W	2' x 2' Kit	28	3000
FL-TFRK22-35W	2' x 2' Kit	35	3600
FL-TFRK22-45W	2' x 2' Kit	45	4500
FL-TFRK24-35W	2' x 4' Kit	35	3650
FL-TFRK24-48W	2' x 4' Kit	48	5650
FL-TFRK24-56W	2' x 4' Kit	56	6050

FEATURES & BENEFITS

- Simple retrofit solution for 2' x 2' and 2' x 4' troffers
- Installs without moving the existing fixture housing
- No disruption of ceiling tile or fixture mounting wires
- Ideal for offices, schools, hospitals, elder care facilities and retail locations
- Easy and quick install
- High system efficacy up to 115lm/W qualifies for major rebates
- Standard 0-10V dimming
- Rated lifetime of 50,000 hrs

WARRANTY

5 Year Warranty



LISTINGS AND CERTIFICATIONS



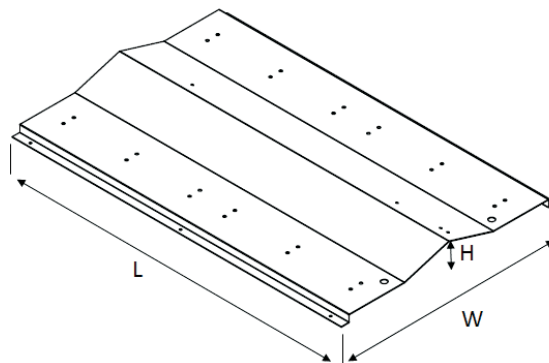
LED Troffer Retrofit Kit

SPECIFICATION INFORMATION

Input Voltage	120-277V , 50/60Hz
Power Factor	> 0.95
Total Harmonic Distortion	<20%
Correlated Color Temperture (CCT)	3000K, 3500K, 4000K, 5000K
Color Rendering Index	>80
Operating Temperature	-20° ~ +45°C

MECHANICAL SPECIFICATIONS

Model Series	Dimensions (L x W x H)	Weight
FL-TFRK22	22.6" x 14.7" x 1.4"	3 lbs
FL-TFRK24	46.0" x 14.6" x 1.6"	6 lbs



ORDERING INFORMATION

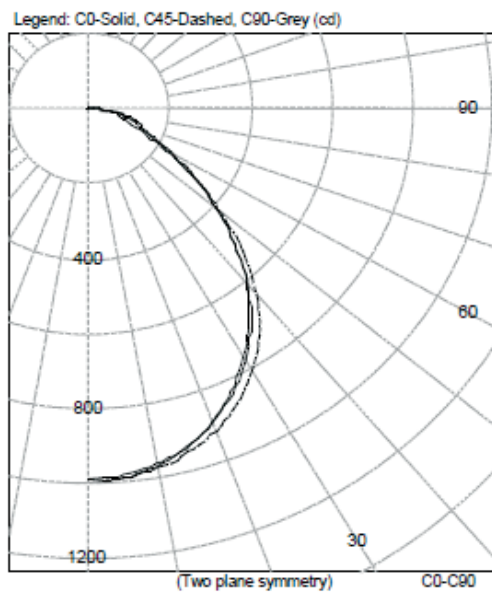
Example: FL-TFRK22-20W30K-DMVFID-TF

Product	Size	Input Power*	CCT	Dimming Option	-TF
FL-TFRK	22 2' x 2' Kit	20W 20W	30K 3000K	DMVFID 0-10V Dimming	
		24W 24W	35K 3500K		
		28W 28W	40K 4000K		
		35W 35W	50K 5000K		
		45W 45W			
FL-TFRK	24 2' x 4' Kit	35W 35W			
		48W 48W			
		56W 56W			

* 2' x 2' troffer kit is available in 20W, 24W, 28W, 35W, 45W,
2' x 4' troffer kit is available in 35W, 48W and 56W

LED Troffer Retrofit Kit

PHOTOMETRY



Zonal Lumen Summary

Zone	Lumens	% of Fixture
0-30	746.00	34.40
0-40	1185.00	54.60
0-60	1863.00	85.80
0-90	2170.00	100.00
40-90	985.00	45.40
60-90	307.00	14.10
0-180	2170.00	100.00

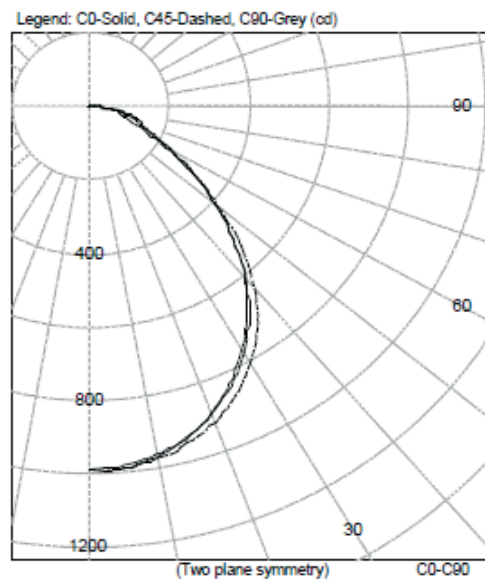
2X2 20W 5000K

Performance Data

Delivered Lumens (lms)	2170.0
Input Wattage (W)	20.6
Efficacy (LpW)	105.3
Voltage (V)	120

LED Troffer Retrofit Kit

PHOTOMETRY



Zonal Lumen Summary

Zone	Lumens	% of Fixture
0-30	2043.00	33.80
0-40	3276.00	54.20
0-60	5186.00	85.80
0-90	6046.00	100.00
40-90	2770.00	45.80
60-90	859.00	14.20
0-180	6046.00	100.00

2X4 56W 5000K

Performance Data

Delivered Lumens (lms)	6046.0
Input Wattage (W)	56.1
Efficacy (LpW)	107.8
Voltage (V)	120