



FOREST LIGHTING

Sustainable illumination



LED Area Light (100V-277V)



Dimmable

The Forest Lighting LED Area Light, which fits most existing poles, is an ideal way to upgrade to LED in roadway, area, park/rec, and similar outdoor lighting applications. The stylish design is protected by the latest powder coating technology for long and maintenance free life. The polycarbonate lens will not yellow, and provides even lighting on the space below. The 100W, 150W, 200W and 300W models last 50,000 hours and carry a 5 year warranty.

LED AREA LIGHT MODELS

MODEL NO.	INPUT POWER (W)	DELIVERED LIGHT OUTPUT (LM)
ALC-100WCK-XV-Y-Z-HG	100	12800
ALC-150WCK-XV-Y-Z-HG	150	19500
ALC-200WCK-XV-Y-Z-HG	200	26000
ALC-300WCK-XV-Y-Z-HG	300	39000

FEATURES & BENEFITS

- Thin, smart and stylish shape
- Powder coated heatsink with superior cooling design
- High transmittance, anti-UV and flame resistant polycarbonate lens
- IP65, suitable for wet locations
- Photocell or motion sensor option
- 0 - 10V Dimming

WARRANTY
5 Year Warranty



LISTINGS AND CERTIFICATIONS



LED Area Light

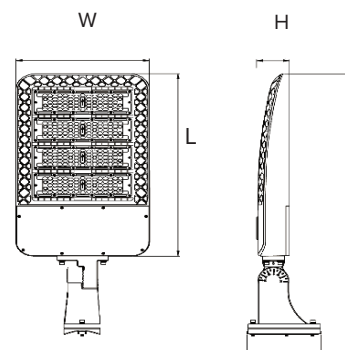
SPECIFICATION INFORMATION

Input Power	100-277V, 50/60Hz
Power Factor	> 0.9
Total Harmonic Distortion	<20%

Correlated Color Temperature (CCT)	5000K
Color Rendering Index	>80
Operating Temperature	-20° ~ +40°C

MECHANICAL SPECIFICATIONS

Model Series	Dimensions (W x L x H)	Weight
ALC 100W/150W	12.71" X 14.37" X 3.14"	14.5 lbs/15lbs
ALC 200W/300W	12.71" X 20.86" X 3.14"	22.3 lbs/24lbs

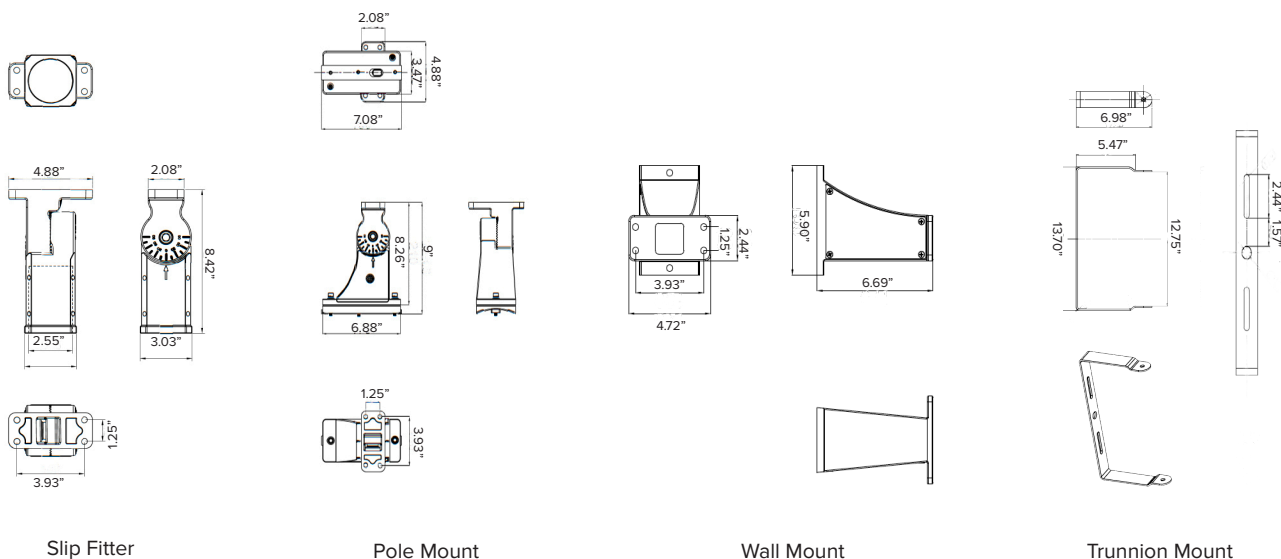


ORDERING INFORMATION

Example: ALC-100W50K-LV-L-A-HG (Type 5)

Product	Nominal Input Power	CCT	Voltage	Lighting Sensor	Mounting option	HG(Type 5)
ALC	100W 100W	50K 5000K	LV 120-277V	L Photocell	A Slip Fitter	
	150W 150W			N No Sensor	C Pole Mount (Square or Round)	
	200W 200W				D Wall Mount	
	300W 300W				E Trunnion Mount	

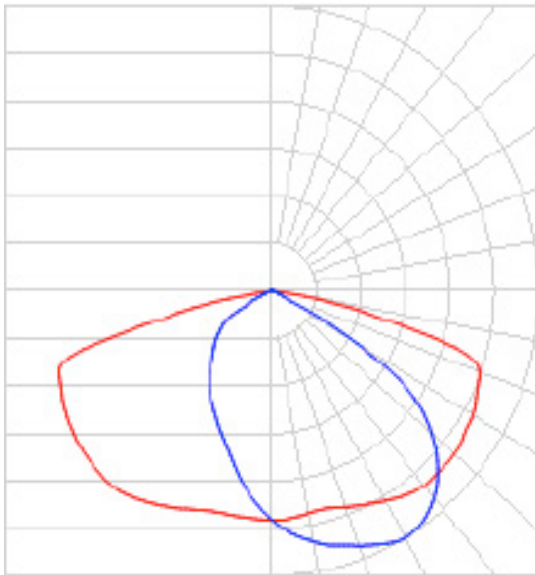
Model # for Microwave sensor is MWS-HG



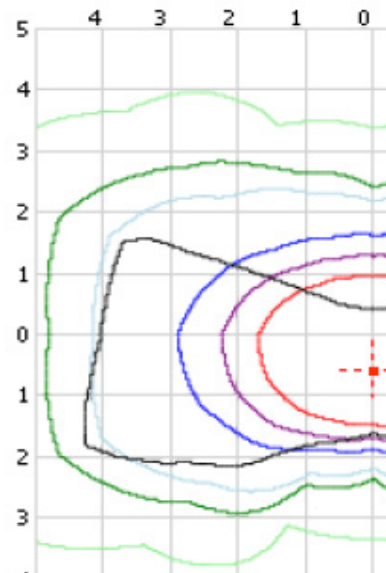
LED Area Light

PHOTOMETRY

Polar Candela Distribution



Isofootcandle Plot



ALC-150W50K-LV-L-A-HG

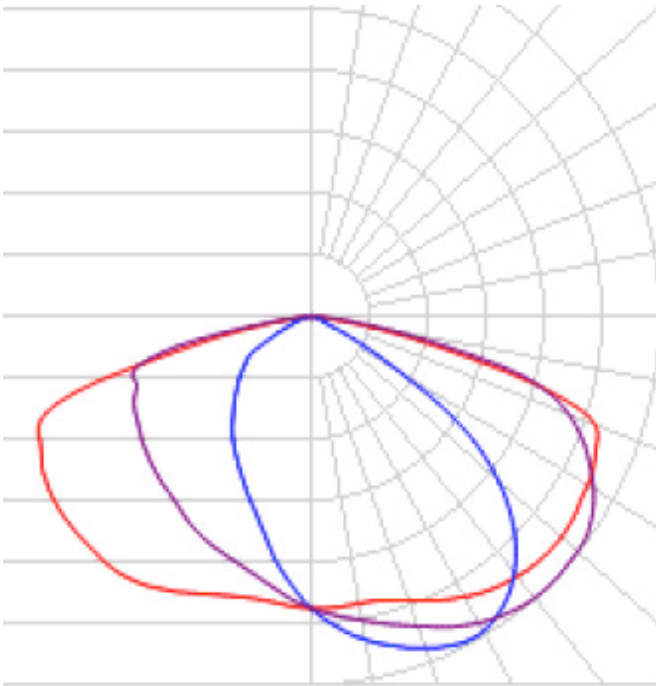
Performance Data

Delivered Lumens (lms)	19270
Input Wattage (W)	141.4
Efficacy (LpW)	136
Voltage (V)	277V
BUG Rating	B3-U2-G3

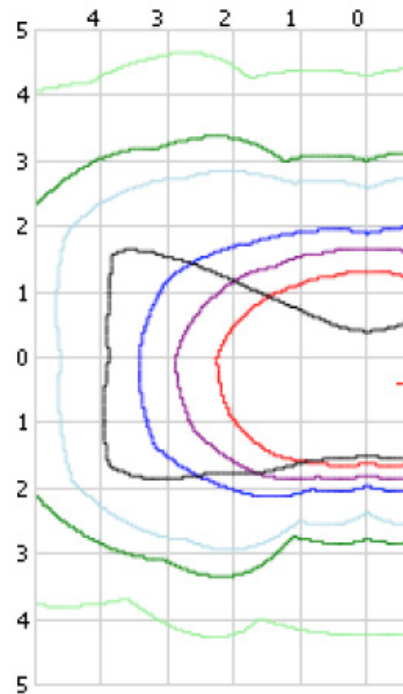
LED Area Light

PHOTOMETRY

Polar Candela Distribution



Isofootcandle Plot



ALC-300W50K-LV-L-A-HG

Performance Data

Delivered Lumens (lms)	39043
Input Wattage (W)	294
Efficacy (LpW)	132
Voltage (V)	277V
BUG Rating	B4-U3-G4