



FOREST LIGHTING

Sustainable illumination

LED Wall Pack

The affordable Forest Lighting Series WPT Wall Pack offers broad light coverage for maximum safety and security. Both the 50W and 80W models feature a rugged aluminum body with weather resistant powder coating not only makes it suitable for use in wet locations, but also provides superior thermal management which extends the life of the luminaire. The Forest Lighting Series WPT Wall Pack is ideal for lighting applications where maximum distribution is required such as warehouses, loading areas, driveways and general perimeter lighting.



WALL PACK FIXTURE MODELS

MODEL NO.	INPUT POWER (W)	DELIVERED LIGHT OUTPUT (LM)
FL-WPT-50W50K	50	5800
FL-WPT-80W50K	80	9800

FEATURES & BENEFITS

- Designed for outdoor wall mounted applications
- DLC listed for utility rebates
- Rugged aluminum body with weather resistant powder coating
- High transmittance UV resistant and fire resistant polycarbonate optical lens

WARRANTY
5 Year Warranty



LISTINGS AND CERTIFICATIONS



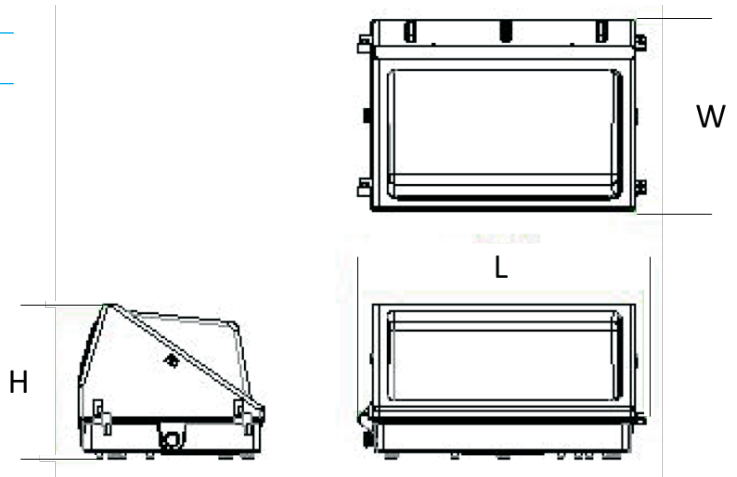
LED Wall Pack

SPECIFICATION INFORMATION

Input Voltage	120-277V , 50/60Hz
Power Factor	> 0.9
Total Harmonic Distortion	<20%
Correlated Color Temperture (CCT)	5000K
Color Rendering Index	>80
Operating Temperature	-20° ~ +40°C

MECHANICAL SPECIFICATIONS

Model Series	Dimensions (L x W x H)
FL-WPT-50W50K	15.0" x 9.3" x 7.5"
FL-WPT-80W50K	15.0" x 9.3" x 7.5"



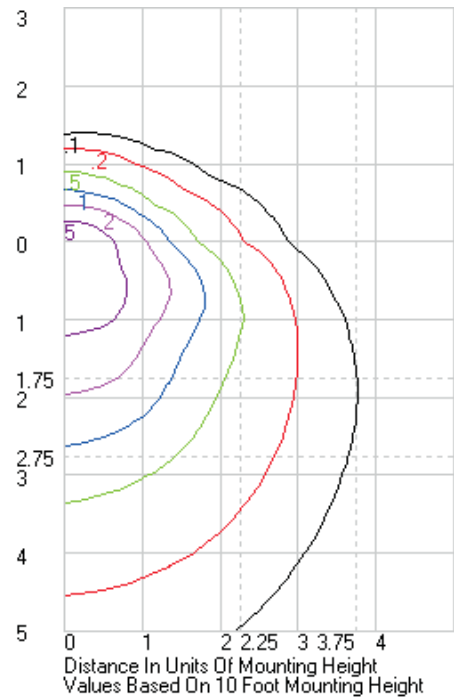
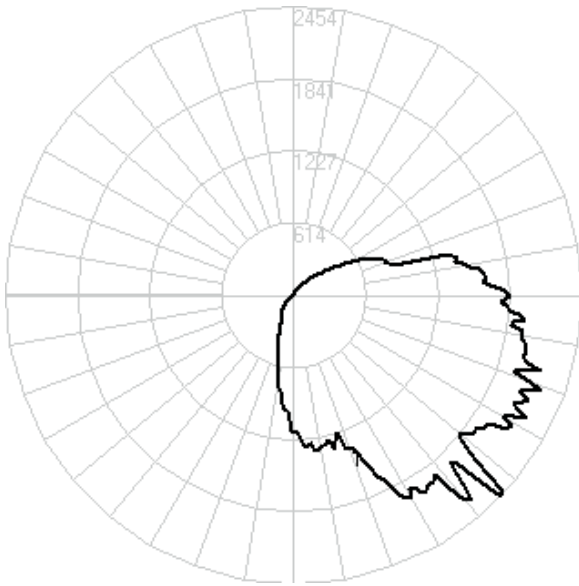
ORDERING INFORMATION

Example: FL-WPT-50W50K

Product	Input Power	CCT
FL-WPT	50W 50W	50K 5000K
	80W 80W	

LED Wall Pack

PHOTOMETRY



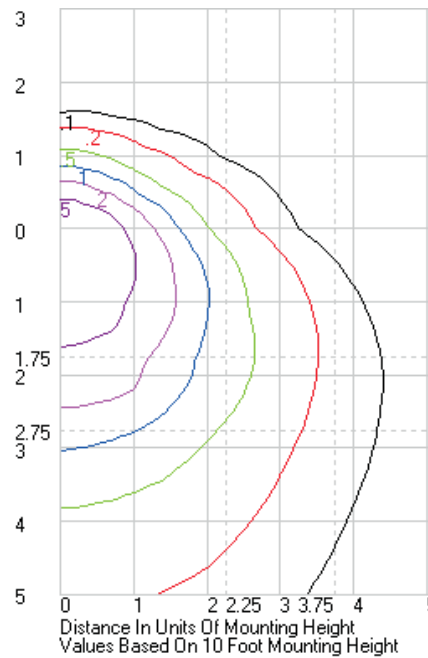
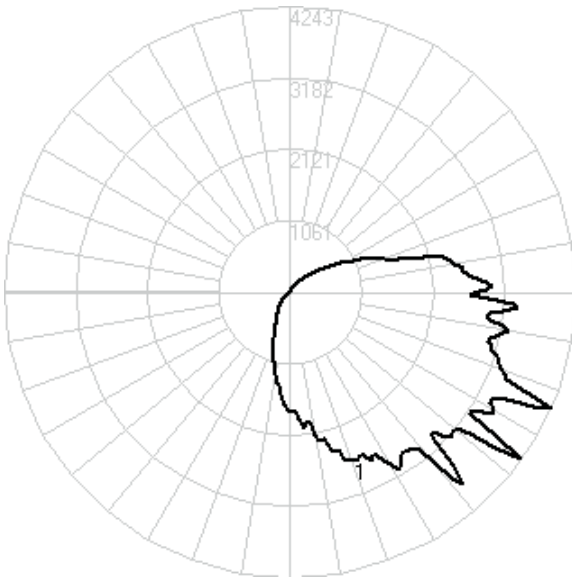
FL-WPT-50W50K

Performance Data

Delivered Lumens (lms)	5848.0
Input Wattage (W)	48
Efficacy (LpW)	121.8
Voltage (V)	120
BUG Rating	B1-U4-G4

LED Wall Pack

PHOTOMETRY



FL-WPT-80W50K

Performance Data

Delivered Lumens (lms)	9802.9
Input Wattage (W)	78.2
Efficacy (LpW)	125.3
Voltage (V)	120
BUG Rating	B1-U4-G5