



## HID Retrofit Lamp (Corn Cob LED)

The new Forest Lighting Cob family of HID Retrofit LED Lamps is a perfect choice for updating HID lighting systems. Ideal indoor applications include warehouses, retail space, factories, auditoriums, and similar high bay installations. Outdoor applications include street, area and landscape lighting. Forest Lighting HID Retrofit LED Lamps are available in five wattages: 36W, 54W, 80W, 100W, 120W. They replace HID lamps up to 600W, which delivers energy savings up to 75% and significant maintenance savings as well. Sometimes called “Corn Cob LEDs”, these instant-on lamps feature in 5000K color temperature, a CRI>80, and delivered lumens from 4,300 to 14,000. Installation is easy; simply unscrew the old HID lamp and disconnect the ballast, and screw in the new Forest Lighting HID Retrofit LED Lamp. The expected life is 50,000 hours, and the warranty is 5 years. They are UL Listed and DLC Certified.



### HID RETROFIT LAMP(CORN LED)

MODEL NO.	INPUT POWER (W)	CCT	DELIVERED LIGHT OUTPUT (LM)
HIDR-36W50K-E26-BW	36	5000K	4320
HIDR-54W50K-E39-BW	54	5000K	6480
HIDR-80W50K-E39-BW	80	5000K	9600
HIDR-100W50K-E39-BW	100	5000K	12000
HIDR-120W50K-E39-BW	120	5000K	14400

***HIDR-36W50K-E26-BW IS NOT ON DLC***

### FEATURES & BENEFITS

- Ideal for retrofit High Bay and Low Bay
- Safety protection circuit
- CRI>80
- Omni wide angel
- Easy and quick installation
- Rated lifetime of 50,000 Hrs

### WARRANTY

5 Year Warranty



### LISTINGS AND CERTIFICATIONS



# HID Retrofit Lamp (Corn LED)

## SPECIFICATION INFORMATION

Input Power	36W, 54W, 80W, 100W & 120W
Input Voltage	100V-277V 50/60Hz
Power Factor	> 0.9
Base Type	E39, E26

## OPTICAL SPECIFICATIONS

Correlated Color Temperature (CCT)	5000K
Color Rendering Index	>80
Beam Angle	>300°

## MECHANICAL SPECIFICATIONS

Model Series      Dimensions (A x B x C x D)

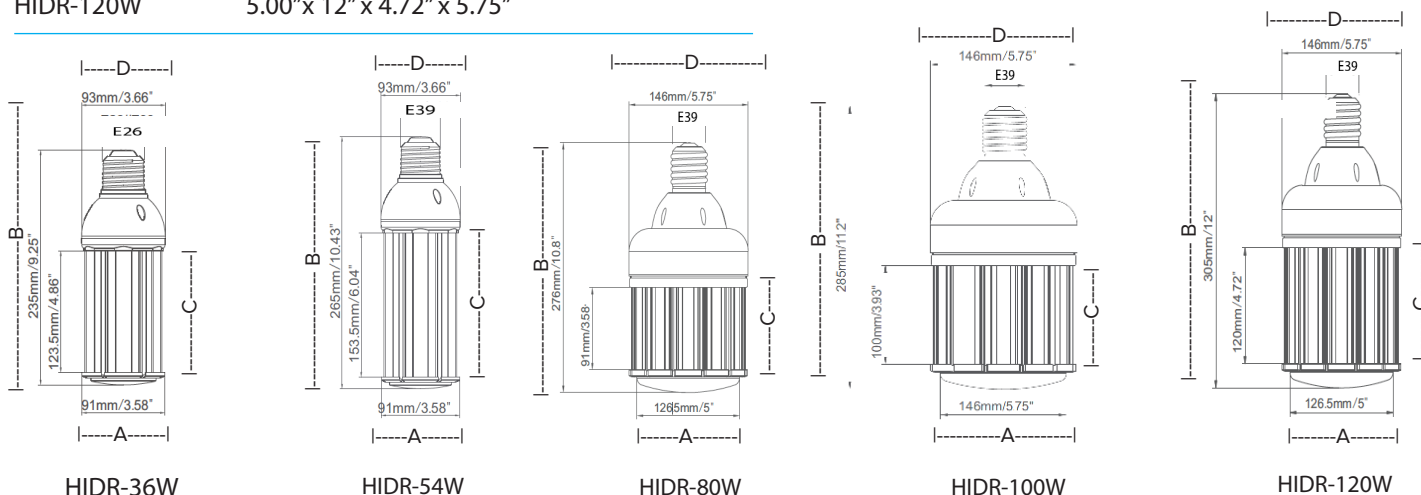
HIDR-36W      3.58" x 9.25" x 4.86" x 3.66"

HIDR-54W      3.58" x 10.43" x 6.04" x 3.66"

HIDR-80W      5.00" x 10.8" x 3.58" x 5.75"

HIDR-100W      5.75" x 11.2" x 3.93" x 5.75"

HIDR-120W      5.00" x 12" x 4.72" x 5.75"



## ORDERING INFORMATION

Example: HIDR-36W50K-E26-BW

Product	Nominal Input Power	CCT	Base	BW
HIDR	<b>36W</b> 36W	<b>50K</b> 5000K	<b>E26</b> E26	
	<b>54W</b> 54W		<b>E39</b> E39	
	<b>80W</b> 80W			
	<b>100W</b> 100W			
	<b>120W</b> 120W			

**HIDR-36W50K-E26-BW IS NOT ON DLC**  
**E39 IS ONLY AVAILABLE IN 54W, 80W, 100W & 120W**  
**E26 IS ONLY AVAILABLE IN 36W**